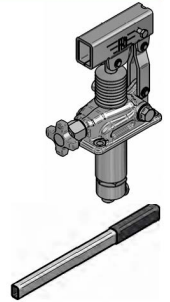
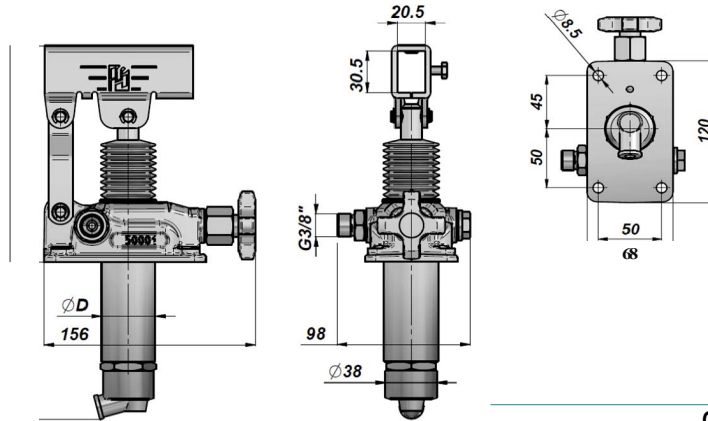
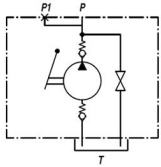


## HAND PUMP-SUITABLE FOR OIL TANK WITH LOWERING VALVE

**PAM-TS**

**OPTIONAL**

Code	Type	cm <sup>3</sup> /cycle	P MAX bar	O'D	kg	Code	Sizes	kg
PAM0141202	PAM-TS 12	12	380	30	2,85	PAM0290000	20x30x600 HAND LEVER	0,71
PAM0142502	PAM-TS 25	25	350	35	2,96			
PAM0144502	PAM-TS 45	42	280	40	3,10			

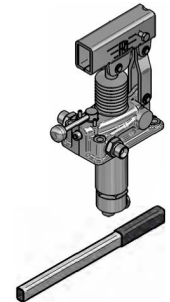
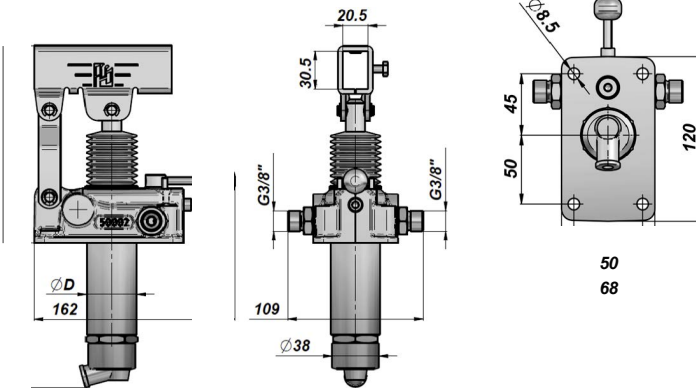
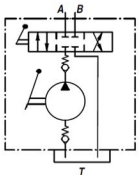
LEVER SUPPLIED SEPARATELY

 Double-stroke for a S.A. cylinder  
 Working temperature : -20 °C + 80 °C

**ON REQUEST:**

- PAM-TSV** = BUILT-IN PRESSURE RELIEF VALVE (1 50 bar)
- PAM-TRS** = WITH LEVER RELEASE
- PAMX-TS** = ROUND LEVER HOLDER
- PM00290100** = ROUND LEVER : 027 L-600 ( PAMX)
- FPM** = O-RING VITON
- WMQ** = O-RING FLUORINE-SILICONE

## PUMP-SUITABLE FOR OIL TANK WITH 4-WAY DIVERTER

**PAM-TDS**

**OPTIONAL**

Code	Type	cm /cycle	P MAX bar	O'D	kg	Code	Sizes	kg
PAM0151201	PAM-TDS 12	12	380	30	2,96	PAM0290000	20x30x600 HAND LEVER	0,71
PAM0152501	PAM-TDS 25	25	350	35	3,07			
PAM0154501	PAM-TDS 45	42	280	40	3,20			

LEVER SUPPLIED SEPARATELY

 Double-stroke for a D.A. cylinder  
 Working temperature : -20 °C + 80 °C

**ARICHIESTA -ON REQUEST -AUF ANFRAGE:**

- PAM-TDSV** = BUILT-IN PRESSURE RELIEF VALVE (1 50 bar)
- PAMX-TDS** = SUPPORTO PER LEVA TONDA - ROUND LEVER HOLDER - TRÄGER FÜR RUNDEN HEBEL
- PM002901 00** = ROUND LEVER : 027 L-600 ( PAMX)
- FPM** = O-RING: VITON
- WMQ** = O-RING FLUORINE-SILICONE