

FILLER AND BREATHER FILTER

PRODUCT DESCRIPTION

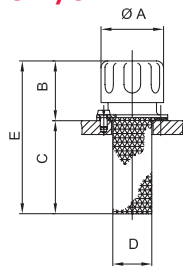
- Filling and ventilation of hydraulic tanks
- Permanent ventilation while protecting against contamination
- On request, metal version available with logo



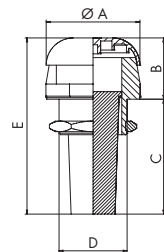
Order code	
Type	Size
SE	2

DIMENSIONS

SE1/SE2

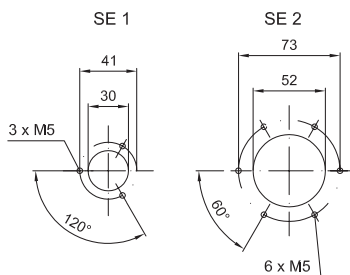


KE1



Type	Art. No.	Dimensions [mm]					Air filter	Material
		Ø A	B	C	D	E		
KE 1	2370	62	40	76	M45 x 2	116	45 µm	Plastics
SE 1	2371	47	45	63	Ø 28	110	10 µm	Metal (chromium free)
SE 2	2372	80	53	80	Ø 50	133	10 µm	Metal (chromium free)

Assembly diagram

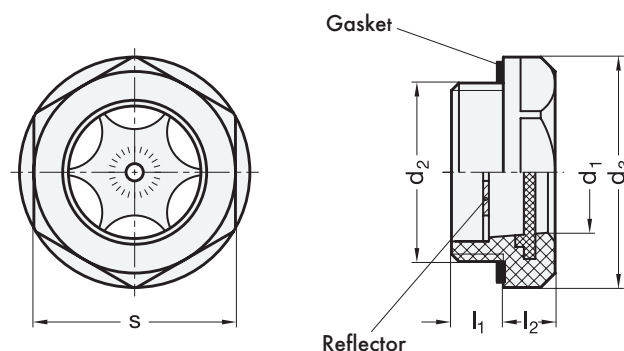


SIGHT GLASS

Order code	
Type	Size
ÖS	G 3/4"



DIMENSIONS



Size	Dimensions [mm]				
	d ₁	d ₃	l ₁	l ₂	s
G 1/2"	15	28	10	8.5	24
G 3/4"	18	35	10	8.5	32
G 1"	23	43	11	9.5	38
G 1 1/4"	30	50	11	9.0	46