

LEVEL OIL GAUGES

SCALE PLATE VERSION

- Optical / thermal monitoring of the liquid level in the tanks
- 4 sizes from 76 mm up to 254 mm
- Suitable for hydraulic fluids HL and HLP
- Gaskets made of perbunan (NBR standard) or Viton® (FKM)
- Steel housing - powder coated
- Plug & sight glass made of PA
- Scale plate made of PVC
- Optional version with thermometer



ÖS ...

ÖS ... TH

Order code		
Type	Size	Option
ÖS	76	TH
	76	
	127	
	176	
	254	

FLOAT SWITCH VERSION

- Optical / electrical monitoring of the liquid level in the tanks
- 2 sizes from 127 mm up to 254 mm
- Suitable for hydraulic fluids HL and HLP
- Optional use with probe thermometer
- Optionally available as break contact or make contact
- Contact box acc. to DIN EN 175301-803-B/ISO6952
- Gaskets made of Viton® (FKM)
- Aluminium housing - powder coated
- Plug, sight glass and float switch made of PA

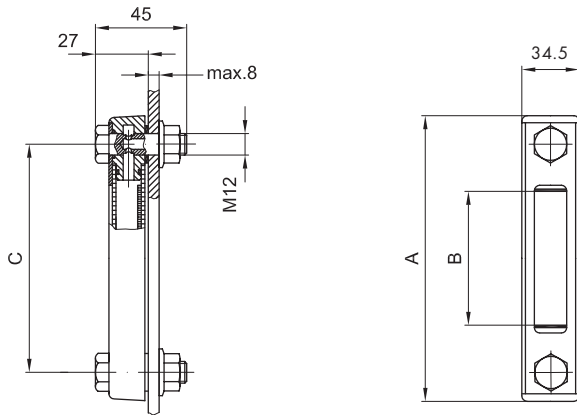


ÖS-EK-...

Order code							
Type	Size	Gasket	Electrical function	Probe thermometer	Fixing	Electrical switch*	
ÖS-EK	127	FKM	C	-	M12	R/L	
	127		C	Make contact closes at min. level	-	without	
	254		O	Break contact opens at min. level	T	probe thermometer 200 mm	
					TS	temperature switch 70°C	
						R	Right
						L	Left

*When connecting the electrical contacts, the direction of the contact box (right/left) for the types C and O can be determined by the user.

DIMENSIONS SCALE PLATE VERSION



Art. No.	Type	Dimensions [mm]		
		A	B	C
2340	ÖS 76	108	31	76
2341	ÖS 76 TH*			
2350	ÖS 127	159	76	127
2351	ÖS 127 TH*			
2352	ÖS 176	208	124	176
2355	ÖS 176 TH*			
2360	ÖS 254	285	192	254
2361	ÖS 254 TH*			

*Version with thermometer

TECHNICAL DATA

Application range: -20°C ... +80°C

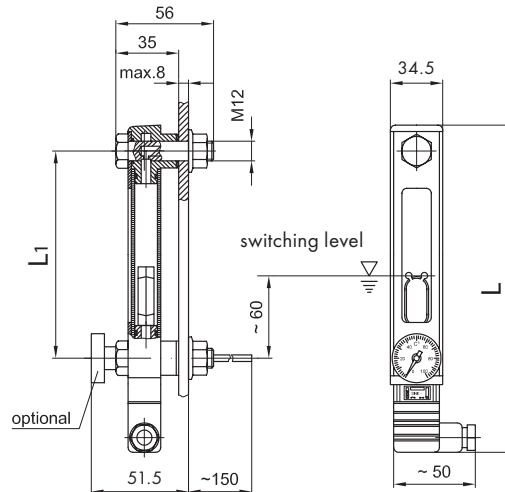
Indication range thermometer:

ÖS 76: +20°C ... +80°C

ÖS 127/176/254: -10°C ... +80°C

Screw torque: max. 8 Nm

DIMENSIONS FLOAT SWITCH VERSION



Art. No.	Type	Dimensions [mm]	
		L	L1
2366	ÖS-EK-127-FPM-C/M12 R/L	159	127
2367	ÖS-EK-127-FPM-O/M12 R/L	159	127
2377	ÖS-EK-127-FPM-C/T/M12 R/L	159	127
2378	ÖS-EK-127-FPM-O/T/M12 R/L	159	127
2381	ÖS-EK-127-FPM-C/TS70/M12 R/L	159	127
2379	ÖS-EK-127-FPM-O/TS70/M12 R/L	159	127
2387	ÖS-EK-254-FPM-C/M12 R/L	285	254
2382	ÖS-EK-254-FPM-O/M12 R/L	285	254
2383	ÖS-EK-254-FPM-C/T/M12 R/L	285	254
2386	ÖS-EK-254-FPM-O/T/M12 R/L	285	254
2374	ÖS-EK-254-FPM-C/TS70/M12 R/L	285	254
2375	ÖS-EK-254-FPM-O/TS70/M12 R/L	285	254

TECHNICAL DATA

Temperature range of medium: -20°C ... +80°C

Indication range probe thermometer:

0°C up to +100°C

Tank pressure: max. 1 bar

Screw torque: max. 8 Nm

ELECTRICAL CONNECTIONS / FUNCTIONS

Contact load:

max. 10 W (type C)

max. 5 W (type O)

Switching voltage: 50 VAC / DC

Switching current: 0.25 A

Electrical switch with PG9:

Protection class IP 65, connection 3 not in use

