



RQM*-P

SOLENOID OPERATED PRESSURE RELIEF VALVES WITH UNLOADING AND PRESSURE SELECTION

SERIES 60

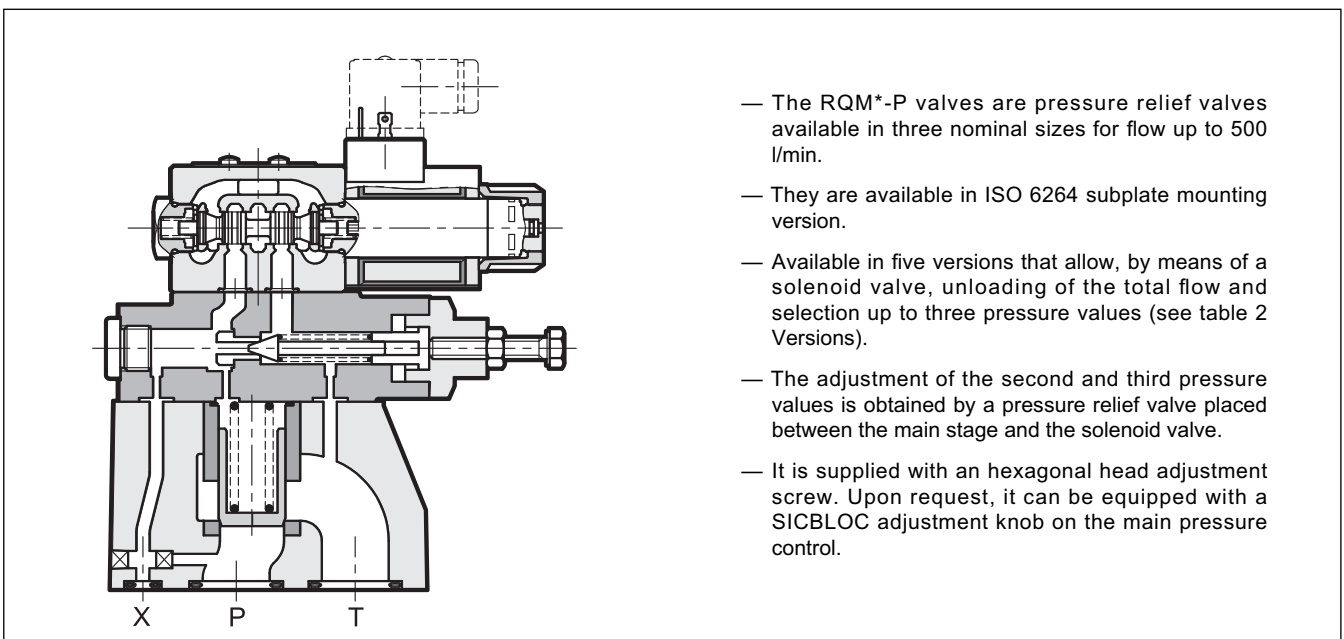
SUBPLATE MOUNTING

RQM3-P ISO 6264-06

RQM5-P ISO 6264-08

RQM7-P ISO 6264-10

OPERATING PRINCIPLE



- The RQM*-P valves are pressure relief valves available in three nominal sizes for flow up to 500 l/min.
- They are available in ISO 6264 subplate mounting version.
- Available in five versions that allow, by means of a solenoid valve, unloading of the total flow and selection up to three pressure values (see table 2 Versions).
- The adjustment of the second and third pressure values is obtained by a pressure relief valve placed between the main stage and the solenoid valve.
- It is supplied with an hexagonal head adjustment screw. Upon request, it can be equipped with a SICBLOC adjustment knob on the main pressure control.

PERFORMANCES (measured with mineral oil of viscosity 36 cSt at 50°C)

		RQM3-P	RQM5-P	RQM7-P
Maximum operating pressure	bar	350		
Maximum flow rate	l/min	200	400	500
Ambient temperature range	°C	-20 / +50		
Fluid temperature range	°C	-20 / +80		
Fluid viscosity range	cSt	10 + 400		
Fluid contamination degree	According to ISO 4406:1999 class 20/18/15			
Recommended viscosity	cSt	25		

NOTE: for the solenoid valve DS3 characteristics see catalogue 41 150

1 - IDENTIFICATION CODE

R	Q	M	- P	/	/	/ 60	-	K1	/
----------	----------	----------	------------	---	---	------	---	-----------	---

pilot operated pressure relief valve
solenoid valve for unloading / pressure selection

Size: **3** = ISO 6264-06
5 = ISO 6264-08
7 = ISO 6264-10

Subplate mounting

Pressure adjustment range:
3 = up to 70 bar **6** = up to 350 bar
5 = up to 210 bar

Versions: **A** } see description
B } in hydraulic symbols
C } table
D }
G }

M = adjustment with SICBLOC knob available only on the main pressure control (Omit for adjustment with hexagonal head screw)

Series No. (the overall and mounting dimensions remain unchanged from 60 to 69)

NOTE: The locking rings of the coils and the relevant O-Rings are supplied together with valves

Manual override: omit for override integrated in the tube (**standard**)
CM = manual override, boot protected

Coil electrical connection: plug for connector type EN 175301-803 (ex DIN 43650) (**standard**)

DC power supply
D12 = 12 V
D24 = 24 V
D48 = 48 V
D110 = 110 V
D220 = 220 V
D00 = valve without coils (see **NOTE**)

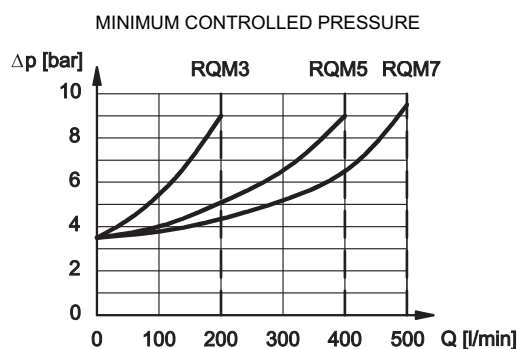
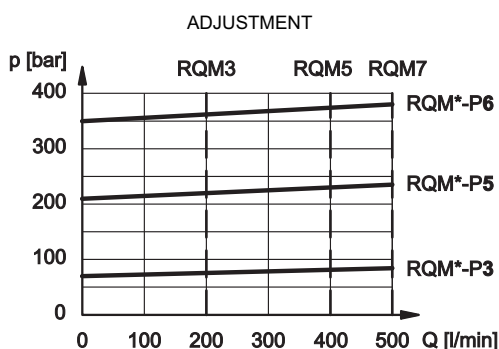
AC power supply
A24 = 24 V - 50 Hz
A48 = 48 V - 50 Hz
A110 = 110 V - 50 Hz / 120 V - 60 Hz
A230 = 230 V - 50 Hz / 240 V - 60 Hz
A00 = valve without coils (see **NOTE**)
F110 = 110 V - 60 Hz
F220 = 220 V - 60 Hz

Seals:
N = NBR seals for mineral oil (**standard**)
V = FPM seals for special fluids

2 - VERSIONS

<p>RQM*-P*/A</p> <p>1 pressure setting and unloading with de-energized solenoid</p>	<p>RQM*-P*/B</p> <p>1 pressure setting and unloading with energized solenoid</p>	<p>RQM*-P*/C</p> <p>2 pressure settings The highest setting is reached with energized solenoid</p>	<p>RQM*-P*/D</p> <p>2 pressure settings and unloading with de-energized solenoids</p>	<p>RQM*-P*/G</p> <p>3 pressure settings The highest setting is reached with de-energized solenoids</p>
--	---	---	--	---

3 - CHARACTERISTIC CURVES (values obtained with viscosity of 36 cSt at 50°C)



4 - HYDRAULIC FLUIDS

Use mineral oil-based hydraulic fluids HL or HM type, according to ISO 6743-4. For these fluids, use NBR seals (code N). For fluids HFDR type (phosphate esters) use FPM seals (code V). For the use of other kinds of fluid such as HFA, HFB, HFC, please consult our technical department. Using fluids at temperatures higher than 80 °C causes a faster degradation of the fluid and of the seals characteristics. The fluid must be preserved in its physical and chemical characteristics.

5 - OVERALL AND MOUNTING DIMENSIONS

